



本手册资料经过仔细核对，力求精准，若有任何印刷错漏产生的误差，本公司不承担因此产生的后果。
To achieve accuracy, this manual has been checked carefully. If any errors caused by printing, our company will not take the responsibility for the consequences.

购买时以实物规格为准，示意图为形象原理图，仅供参考。本公司保留对此资料有关内容的最终解释权。
All photos are for reference only, specification is subject to the physical product. Our company reserves all the rights of final explanation for the content of the manual.

本公司不断致力提高产品质量和性能，产品技术和设计如有更新，恕不另行通知。
Our company will constantly improve quality and function of the products. We reserve the right to update technology and design without prior notice.

制 造 商：广东天谱科技集团有限公司
公司地址：清远市清城区横荷街道高新技术产业开发区创兴
 六路19号广东天谱电器有限公司1号厂房1-6层
服务中心：4008-115-165
公司网址：www.tp-hivi.com

V1.2



风华系列

BD-H0567 C
使用说明书
Instructions

贝德音响 快乐随享
BD SOUND HAPPY WITH SHARING

Ⓐ

目录

致用户	P1
本机特性	P1
安全警告	P1
主要技术规格	P1
功能说明	P2
内置录音功能说明/注意事项/无线话筒功能说明	P3
使用注意事项	P4
充电说明	P4
无线蓝牙使用注意事项	P4
面板功能说明及连接示意图	P4
遥控器功能说明	P5
故障检查索引/图案说明	P5

附件清单

◆ 背带	1 PCS
◆ 适配器	1 PCS
◆ 遥控器	1 PCS
◆ 说明书	1 PCS
◆ 保修手册	1 PCS
◆ 合格证	1 PCS
◆ 无线话筒	1 PCS
◆ 话筒USB充电线	1 PCS
◆ 音频连接线	1 PCS
◆ 背带安装说明卡	1 PCS

注：以上包装配件仅供参考，以实际实物为准。

CONTENTS

TO ALL OUR CUSTOMERS/CHARACTERISTICS OF THE	P6
SAFETY WARNING/FUNCTION DECLARATION	P6
MAIN TECHNICAL SPECIFICATIONS/FUNCTION DECLARATION	P7
THE BUILT-IN MP3 FUNCTION DESCRIPTION	P8
BUILT-IN RECORDING FUNCTION	P8
PRECAUTIONS	P8
DESCRIPTION OF WIRELESS MICROPHONE	P9
FUNCTION DECLARATION OR CONNECTION DIAGRAM	P9
PRECAUTIONS/IMPACT THAT ELECTRIC	P10
REMOTE CONTROL USE PRECAUTIONS	P11
BLUETOOTH CAUTION/PATTERN DESCRIPTION	P11
TROUBLESHOOTING GUIDELINES	P12

ANNEX LIST

◆ STRAP	1 PCS
◆ ADAPTER	1 PCS
◆ REMOTE CONTROL	1 PCS
◆ MANUAL	1 PCS
◆ WARRANTY MANUAL	1 PCS
◆ CERTIFICATE	1 PCS
◆ WIRELESS MICROPHONE	1 PCS
◆ MICROPHONE USB CHARGING CABLE	1 PCS
◆ AUDIO CABLE	1 PCS
◆ STRAP INSTALLATION INSTRUCTION CARD	1 PCS

Note: The above packaging accessories are for reference only.
The actual items shall prevail.

TROUBLESHOOTING GUIDELINES

Users in the process of using this machine, If there is any problem, Please check seriatim following this trouble shoting table. If the problem still couldn't be solved, Please find the local ditribution service of our company or call the company's customer hotline. The specific details of the troubleshooting table are shown in the following table:

FAILURE PHENOMENON	POSSIBLE CAUSE	DISPOSAL METHODS
NO SOUND AFTER POWER TURNED ON	1.The power cord is not plugged. 2.Poor power outlet. 3.No input source. 4.Volume adjustment in the minimum position.	1.Plug in the power plug. 2.Replacing the power outlet. 3.Better music signal. 4.Appropriate to adjust the volume.
SOUND DISTORTED	1.Master volume control is toolarge. 2.Sound may be damaged.	1.Main volume down. 2.Check if the speaker is damaged, If damaged, need to repair.
KARA OK SILENT	1.Microphone plug is not fully inserted. 2.The microphone switch did not open. 3.Microphone volume knob is in the minimum position. 4.Wireless microphone battery.	1.Microphone totally into the microphone jack. 2.Open microphone switch. 3.Appropriate microphone volume. 4.Replace the battery.
MP3 SILENT	1.U disk song format is wrong. 2.Procedures confusion caused by improper operation. 3.U disk/TF card is no inserted.	1.Change the song formats into Mp3 format. 2.Boot to restart the machine. 3.U disk/TF card plugged in.

至用户

非常感谢您对本公司高科技产品的厚爱，为将获得本产品最佳性能和充分发挥本机所提供的全部功能，请您在使用本系统之前，认真阅读本说明书，如有不解之处请向当地经销商咨询或直接向本公司咨询。

请妥善保管本说明书以备日后随时查阅。

本说明书中带“*”的内容为选配功能。

本机特性

本系统可与个人电脑、DVD、VCD、CD、MP3、收音机、电子钢琴等任何带有音频输出的装置配接使用。

放大电路皆采用高性能、高保真设计，配以专业高品质喇叭使音响声场得到定位清晰，层次鲜明的效果。

系统话音效果出众，低音澎湃震撼，中音强劲明亮，高音清脆悦耳。

专业电子分频线路，令本机的分频点更准，效果更佳。

采用专业设计制造的大容量电池，以及音响专用电源电容，令本机电源储备余量更大、更稳定、动态更佳，信噪比更高。

安全警告

电源线不可被挤压、拉扯、弯曲、打结、悬挂重物或被人践踏。以防止电源线的绝缘层被损坏而导致触电！

请勿让本机淋雨受潮，严禁在本机周围放置液体及易燃物品，以防止有电击、失火、爆炸等风险！

切勿堵死散热孔从而导致机器散热不良影响本机性能及寿命！

如机器突然发生冒烟或其它异常现象，请迅速拔出电源插头，避免引起意外事故，并联系当地经销商进行维修！

本机如长时间不用，请拔下电源插头，防止雷击而烧毁本机！

电池或电池包或组合电池不得暴露在如日照、火烤或类似过热的环境中！

主要技术规格

产品型号：-----BD-H0567 C (A)

消耗功率：-----≤80W

灵敏度：-----550±30mV

信噪比：-----≥71dB

频响：-----70Hz-20KHz 以上规格为抽样技术规格,仅供参考。

输入规格：-----DC 15V=2A 本产品不断改进，设计规格和功能可能有所变更，恕不另行通知。

功能说明

• 常用功能说明

主音量(VOL)：调节主音量大小，使声音大小适中。

高音(TREBLE)：调节高音，使高音效果大小适中。

低音(BASS)：调节低音，使低音效果大小适中。

话筒音量(MIC.VOL)：调节话筒音量大小，使话筒声音大小适中。

混响(ECHO)：调节话筒混响，使话筒效果更佳。

话筒(MIC)：连接有线话筒。

• 内置无线话筒/耳咪功能说明*

正确打开话筒或耳咪的电池盒，装入电池（请注意电池正负极不要装反）。

如使用耳咪，请将耳麦连接到耳咪发射器上（将耳麦连接线插入至耳咪发射器上的输入孔内（INPUT插孔））。

拨开话筒或耳咪发射器上的电源开关至“ON”，如电源指示灯不闪亮一下或常亮，应当检查电池电量是否充足或电池正负极是否装反。

有外置天线的机型，请在使用前将天线拉长并处于垂直向上方向，以达到理想的接收效果（无天线机型忽略此操作步骤）

调节音响上的话筒音量旋钮，试唱时根据需要声音大小适当调节音量旋钮位置，以达到理想的效果。

耳咪可以调节耳咪发射器上的音量调节旋钮（GAIN ADJUST）。

在演唱过程中需要暂停使用无线话筒或耳咪时，可以将话筒或耳咪发射器上的电源开关拨至中间位置。

在播放过程中，请远离高温，高磁场，高频干扰。如遇死机，请重启电源或拔出U盘/TF卡，重新插入即可恢复正常工作。

• 内置MP3功能说明

U盘（USB）插孔：USB插口，即插即用。

TF卡插孔：即插即用（支持MP3/WMA音乐格式）。

输入选择（INPUT）：单击此键可循环切换输入通道。

播放/暂停（PLAY/PAUSE）：在播放状态时，单击此键可暂停播放。在暂停状态时，按此键可继续播放。

上一曲/下一曲（PREV/NEXT）：在播放状态时，单击此键可切换播放上/下一首歌曲（部分机型长按此键为音量+/-）。

循环播放（REPEAT）：在播放状态时，单击此键可切换循环播放模式。

REMOTE CONTROL USE PRECAUTIONS

1.Under normal circumstances, the remote control should be received in the remote window of about 6 meters 30° range.

2.Operate the remote control, remote control receiver window of the remote control at the amplifier, remote control and the amplifier should not be an obstacle.

3.If the remote receiver is in the position of the remote control directly receive strong light may not be valid. In this case, place the subwoofer away in order to avoid direct exposure.

4.Avoid mixing old and new batteries use regularly check whether the remote control battery replacement.



BLUETOOTH CAUTION

Power select the input source is Bluetooth channel.

Using Bluetooth device is connected thereto(mobile phones) to ensure whether to open, scan for the device, the unit Bluetooth name "BD-H0567C", and is connected to the machine to match, if you can not connect your phone to reboot the machine or retry.

After the phone Bluetooth connection to this unit, you can play music. In order to ensure continuous stability of music playback, please try to keep Bluetooth and mobile phone in the same direction.

The accessibility of the local Bluetooth range of 10 meters.

PATTERN DESCRIPTION



PRECANTIONS

Avoid receiving antenna close to the metal surface and the wall-light obstacle if too close together will reduce the performance impact reception.

Effective use of wireless microphone distance of 30 meters, does not affect the concert effect, please do not use outside the valid range, when the battery drop too strong or the use of the environment wireless interference source, will shorten the distance.

Do not use the same frequency point of microphone singing the cause to the sound of silence or interference within a short distance.

If you buy two or more of the company supporting wireless microphone speaker system and ready to be used together, then select different varieties of standard frequency, if the frequency is the same, the two sets of models separated by at least a distance of 100 meters, in order to avoid mutual in terferenceunnecessary trouble.

Do not the process of using the machine too close to VCD/CD/DVD with strong interference frequency equipment. To avoid mutual interference between the same frequency and directly affect the normal work of the wireless microphone.

IMPACT THAT ELECTRIC

Charging operations connected with the distribution of the power adapter AC 220V power supply and the other end is connected to the DC jack, charging indicator red light, charging 4-8 hour battery is fully charged indication green light will turn on automatically and fully charged, please unplug the power the adapter plug, so you can extend the battery life.

Battery charging indicator: red light flashes when charging, power adapter and power indicator light(Part adapter without power indicator),after a full stop and the flashing blue lights, the LED display will continue to charge the battery after the blue 1-2 hours, this can extend the battery use time(Switch machines trial when charging).

Battery charge indicator: there are power indication on the display is divided into four cells, when the four cells are full of 100% needs to be charged, the entire battery indicator will blink at this time please charging.

Attention: if the battery voltage, within 48 hours, the battery is fully charged, the battery left for a long period of time does not work must maintain battery power, otherwise it will cause the battery damage!

内置录音功能说明*

在插入外接存储器U盘/TF卡情况下，按RECORD键进入录音模式，当外接存储器是第一次在本系统上使用，系统自动在U盘/TF卡上新建一个名为RECORD的文件夹，在此文件夹里存储录音文件，并以REC001，REC002...此递增规律命名新录音文件。在录音状态下，按播放/暂停键为暂停录音，再次按下此键为继续录音。按INPUT或REC.PLAY键可退出录音模式。

在插入U盘/TF卡情况下，如果U盘/TF卡内有录音文件，按REC.PLAY键播放录音文件，默认播放顺序为第一个录音文件为当前播放文件。在此状态下，可通过PREV/NEXT键切换录音文件。

部分机型录音/录音播放功能集成在一个按键上，单击为录音播放，长按为录音。

注意事项

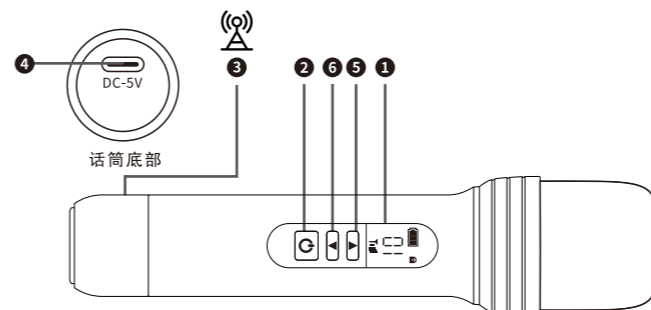
将U盘/TF卡在电脑上格式化为FAT32格式。

系统读取数据时，为按文件的创建时间为先后顺序。

将MP3格式或WMA格式文件拷贝（下载）到U盘/TF卡的根目录下，建议将不必要的文件与目录删除，以使读取文件时速度加快并减少读取错误发生。

无线话筒功能说明

以下为形象示意图，仅供参考，具体以实物为准。



1. 数码显示屏
2. 电源按键(长按关闭)
3. 天线位置
4. Type-C充电接口
- 5/6.上/下调频、音量设置按键

开启无线话筒:长按电源键可开启/关闭话筒。

对频操作:长按上/下调频按键进入话筒调频模式，短按上/下调频按键选择通道频率，等待3秒完成调频。

防止话筒串频(ID识别):靠近音箱1米范围内，同时按下电源按键和调频按键(▲)进行话筒ID识别，完成操作后就不会再被其它话筒串频干扰了。成功锁定ID时显示屏显示“🔒”图标亮起。

音箱被其他无线话筒占用解决方法:长按任意调频按键不放，大约10秒进入强制对频模式，注意话筒调频按键按住不放，关闭当前音箱电源再次重启，松开按键话筒自动适配完成，话筒便有声音了。

开启/关闭自动静音模式:关机时长按电源按键10秒直到重启，可开启或关闭静音模式;开启静音模式后，话筒放置10秒不操作，会自动静音，拿起自动恢复声音;连续放置15分钟无操作，自动关机。

使用注意事项

避免接收天线靠近金属表面和墙壁等障碍物，如果靠的太近会降低性能，影响接收效果。

无线话筒的有效使用距离为30米以内，为不影响演唱效果，请不要在有效范围外使用，当电池电量不充足或使用环境无线干扰过强时，均会缩短使用距离。

在短距离内请勿同时使用同一频率无线话筒，否则会引起无声或干扰声。

使用过程中请不要将机器过于靠近VCD/DVD等有强大干扰频率的设备，以免相同频率之间的相互干扰而直接影响到无线话筒的正常工作。

充电说明

充电时，请用配送的电源适配器进行充电，充电时间应为4-8小时。充满电后应拔掉电源，长时间充电会造成电池损坏。

电池电量指示：显示屏上有电量指示图标，共分为四格，每格代表25%的电量。当电池电量低时，整个电量指示图标会闪烁。此时请及时充电。充电时，电量指示图标会闪烁，闪烁停止后，电池要继续充电1-2小时，这样能延长电池使用时间。

注意：若电池欠压，请在48小时内把电池充满，电池长时间放置不工作必须保持电池有电，否则会造成电池损坏！

无线蓝牙使用注意事项*

按输入选择（INPUT）键切换至蓝牙模式。

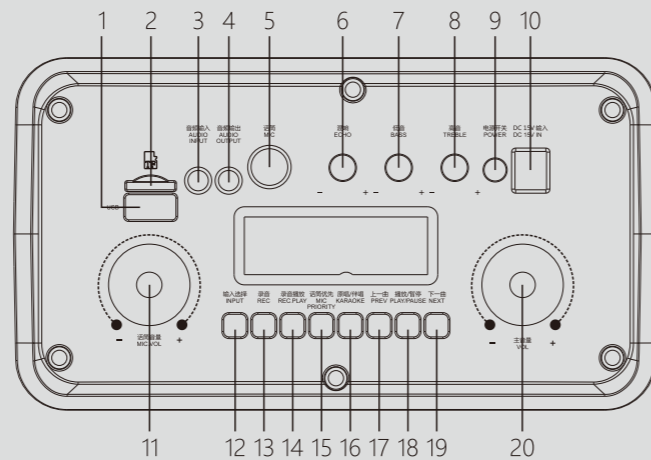
使用蓝牙设备（如手机等）扫描搜索本设备，本机蓝牙名称为“BD-H0567C”。并与本机连接配对，如无法连接上，请重启蓝牙设备或本机重试。

蓝牙设备与本机连接配对成功后，可以播放音乐。为保障音乐播放的流畅稳定性，请尽量保持本机与蓝牙设备在同一方向。

本机蓝牙无障碍使用范围距离10米。

面板功能说明及连接示意图

以下为形象示意图，仅供参考，具体以实物为准。

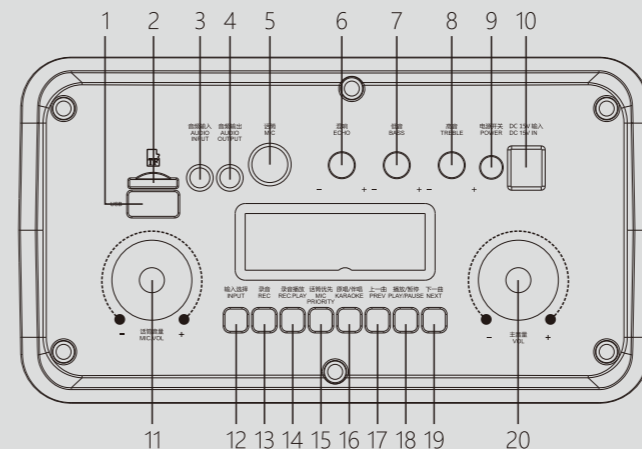


- | | |
|---------------|-------------|
| 1.USB接口 | 11.话筒音量调节旋钮 |
| 2.TF卡接口 | 12.输入选择按键 |
| 3.音频输入接口 | 13.录音按键 |
| 4.音频输出接口 | 14.录音播放按键 |
| 5.话筒接口 | 15.话筒优先按键 |
| 6.混响调节旋钮 | 16.原唱/伴唱按键 |
| 7.低音调节旋钮 | 17.上一曲按键 |
| 8.高音调节旋钮 | 18.播放/暂停按键 |
| 9.电源开关 | 19.下一曲按键 |
| 10.DC 15V输入接口 | 20.主音量调节旋钮 |

注：长按话筒优先按键开启/关闭静噪功能

FUNCTION DECLARATION OR CONNECTION DIAGRAM

This diagram schematic for the connection the specific kind prevail



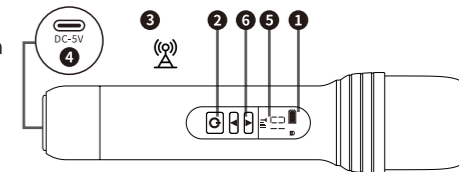
- | | |
|------------------|---------------------|
| 1. USB Slot | 11. MIC Volume |
| 2. TF Slot | 12. Input |
| 3. Audio input | 13. Record |
| 4. Audio output | 14. Play the record |
| 5. Microphone | 15. MIC Priority |
| 6. Echo | 16. Karaoke |
| 7. Bass | 17. Previous |
| 8. Treble | 18. Play/Pause |
| 9. Power switch | 19. Next |
| 10. DC 15V input | 20. Volume |

Note: Press and hold the microphone priority button to turn on/off the squelch function.

WIELESS MICROPHONE IN HAND

This diagram schematic for the connection the specific kind prevail

- Digital Display Screen
- Power Button (Long press to turn off)
- Antenna Position
- Type-C Charging Port
6. Up/Down Buttons for Frequency Tuning & Volume Adjustment



Turning on the Wireless Microphone: Long press the power button to turn the microphone on or off.

Frequency Pairing Operation: Long press the Up/Down frequency tuning button to enter the microphone frequency tuning mode. Short press the Up/Down button to select the channel frequency. The frequency tuning is completed after a 3-second wait.

Anti-interference Frequency Locking (ID Recognition): Within 1 meter of the speaker, press the power button and the Up (▲) tuning button simultaneously to perform microphone ID recognition. Once completed, the microphone will no longer be subject to interference from other microphones. The “🔒” icon will light up on the display when ID locking is successful.

Solution When the Speaker Is Occupied by Another Wireless Microphone: Press and hold any frequency tuning button for about 10 seconds to enter forced frequency pairing mode. Keep holding the microphone frequency button, turn off the speaker power and restart it, then release the button. The microphone will automatically pair and produce sound.

Enabling/Disabling Auto Mute Mode: While the device is off, long press the power button for 10 seconds until it restarts to enable or disable auto mute mode. When auto mute is enabled, the microphone will mute automatically if left unused for 10 seconds and resume sound when picked up. It will shut down automatically after 15 minutes of inactivity.

THE BUILT-IN MP3 FUNCTION DESCRIPTION

U disk jack: The inserted Udisk interface, plug and play.

TF card slot: TF card socket, plug and play. support Mp3 and WMA format music sound quality is out standing high-fidelity stereo design. to you new music experience. high-fidelity stereo design. to your new music experience.

INPUT: To switch to the DVD source/MP3/FM radio source.

Play/Pause button: in play back status, press this button to pause a song. press this button again to continue playing.

On track/next track(PREV/NEXT) button: playing status, press this key alone can be up and down select playlist.some models also have a volume long press(more than 2 seconds)-/volume + key combination.

Repeat key: play status, press this key to cycle, play the same song again click the play button to cancel the song cycle.

BUILT-IN RECORDING FUNCTION

In any state, the external memoty, press the RECORD key to enter the recording mode, when the external memory is used in the system for the first time, the system will automatically creat a new file named RECORD in memory. this folder inside tecord audio file REC001,REC002...this law naming the new recording file. Play/Pause button again to exit the recording mode, press INPUT REC.PLAY.

In the case of inserting USB Bash drive /TF card, if there are recording Ples in USB Bash drive /TF card, press Rec. PLAY to PLAY the recording Ples. The default playing sequence is that the Prst recording Ple is the current playing Ple.In this state, the recording Ple can be switched by the PREV/NEXT key.

In the recording playback state, by REPEAT key conversion cycle mode. press repeatedly between single recording file loop and recorded file conversion loop playback mode.

PRECAUTIONS

USB drive or TF card for matted as FAT32 on a computer

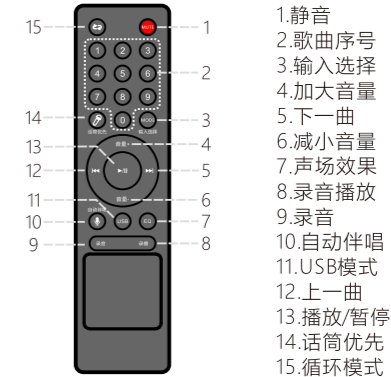
The system reads the data is based on file survival time sequence. like there a 01 an 02 key on the file, if 01 key is upon 02, it will play on file first when power on.

Copy(download) the Mp3 format or WMA format music files to the USB drive/TF card root directory is recommended to delete unnecessary files and directory, so that the player can reads the songs faster, and reduce the occurrence on the read error..

遥控器功能说明

以下为形象示意图,仅供参考,具体以实物为准。

- 1.在正常情况下,遥控器应在遥控器接收窗前约6米,30°范围内使用。
- 2.操作遥控器时,将遥控器对准机器的遥控器接收窗,遥控器与机器之间不应有障碍物。
- 3.如果遥控器接收器处于强光照射位置可能导致遥控器失效,在此情况下,请将机器移开,避免强光照射。
- 4.避免新旧电池混合使用,定期检查遥控器电池电量是否充足。



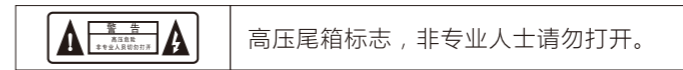
- 1.静音
- 2.歌曲序号
- 3.输入选择
- 4.加大音量
- 5.下一曲
- 6.减小音量
- 7.声场效果
- 8.录音播放
- 9.录音
- 10.自动伴唱
- 11.USB模式
- 12.上一曲
- 13.播放/暂停
- 14.话筒优先
- 15.循环模式

故障检查索引

用户在使用本机过程中,如发现问题,请按下面的故障检修表逐一检查。如仍不能解决问题,请向本公司在当地的经销商咨询或拨打本公司的客服热线咨询。故障检修表具体如下表:

故障现象	可能原因	处置方法
打开电源无任何声音	1.没有输入音源。 2.主音量被调至最小。	1.接入输入音源。 2.适当调节主音量。
声音失真	1.主音量调节过大。 2.音响可能损坏。	1.将主音量调节至适中位置 2.检查音响是否损坏。
卡拉OK无声	1.有线话筒插头未接入到位。 2.话筒开关未开启。 3.话筒音量被调至最小。 4.无线话筒电量不足。	1.将有线话筒插头接入到位。 2.开启话筒。 3.适当调节话筒音量。 4.更换无线话筒电池。
MP3无声	1.U盘歌曲格式不对 2.操作不当引起程序混乱。 3.U盘/TF卡未插入到位。	1.将歌曲格式转换为MP3/WMA格式。 2.重启机器。 3.将U盘/TF插入到位。

图案说明



高压尾箱标志,非专业人士请勿打开。

TO ALL OUR CUSTOMERS

Thank you for your love of our company's high-tech products, to get the best performance and give full play to all of the features provided by this machine, please read this manual carefully before using the system, any puzzles please consult your local dealer or directly to our company.

Please keep this specification carefully to prepare for inspection at any time in the future.

CHARACTERISTICS OF THIS MACHINE

This system can be used with any PC, DVD, VCD, CD, LD, LD, TV, Mp3, radio electronic piano etc, which connected with using the audio output of the device.

The amplifier circuit are high-performance, high-fidelity design, together with the professional high-quality loud speaker to get the effect of the sound field clear positioning distinct levels.

The system sound superior, bass surging shock, midrange strong and bright, treble clear melodious.

The professional electronic crossover line made the crossover poin of the machine more accurate and the better effects.

Professional design and manufacture of high-power power trans for mers, as well as dedicated audio power capacitor, made the unit's power reserve margin larger, more stable, dynamic better and the signal to noise ratio higher.

SAFETY WARNING

The power cord can not be squeezed, pulled bent knotted, hanging heavy objects or trampling. to prevent the insulating layer of the power cord getting damaged and cause electric shock!

Do not let the machine moisturized, non-liquid or flammable materials placed around the machine to prevent electric shock, fire explosion or other dangerous!

Never try block the cooling holes of the machine to cause heat adverse and affect the service life of the machine!

If the machine suddenly smoke or other anomalies, please unplug the power cord quickly, to avoid causing an accident, and contact your local dealer for repairs!

Without using the machine for a long time, please unplug the power cord to prevent lightning stroke to get burned!

Batteries or battery packs or combination batteries must not be exposed to conditions such as sun, Pre, or similar overheating!

FUNCTION DECLARATION

During playback, away from the high-temperature, high magnetic field, high-frequency interference. in case of a crash, turn off the power to restart or unplug the USB disk/TF card and re-insert to resume normal operation.

MAIN TECHNICAL SPECIFICATIONS

The above technical specifications for sampling purposes only

Model: ----- BD-H0567 C [Ⓐ]

Power consumption:-----≤80W

Input sensitivity:-----550±30mV

Signal to noise ratio:-----≥71dB

Frequency response:-----70Hz-20KHz

Power supply:-----DC 15V=2A

FUNCTION DECLARATION

Common function declaration

Master volume(VOL) knob: Please press "VOL +" and "VOL -" onscreen or on remote to adjust the main volume.

He treble adjustment(TREBLE) knob: Adjust the treble, the music sounding.

Bass adjustment(BASS) knob: Adjust the bass, the bass medium size.

Microphone treble(MIC.VOL) knob: Adjust microphone treble, the microphone music sounding.

Reverbration(ECHO) knob: Adjust the microphone reverb it best.

Microphone jack(MIC): Connect a wired microphone.

Built-in wireless microphone/wireless the ear microphone function description

Open the battery compartment correctly into the battery, pay attention to the battery positive and negative, do not hold against.

Ear microphones need the headset is connected to the ear microphone transmitter, the headset cable piece is inserted into the ear microphone transmitter input hole(INPUT jack).

Unplug the microphone or ear microphone transmitter power switch to "ON", the power indicator is not shiny or always, check the battery voltage complement or battery is loaded backward.

External whip antenna pole befor using elongated rod antenna and have it in a vertically upward direction in order to achieve the desired reception(built-in antenna machine omit this).

Adjust the microphone volume knob on the stereo, the audition needed sound is too small to appropriately adjust the volume knob position, to achieve the best results that you want.

Ear microphone can be adjusted the ear microphone sounder volume adjustment knob(GAIN the ADJUST).the use of wireless microphone or ear microphone such as the need to suspend the course of the concert, you can switch of the microphone placed muted stop using the microphone switch is in the off state.